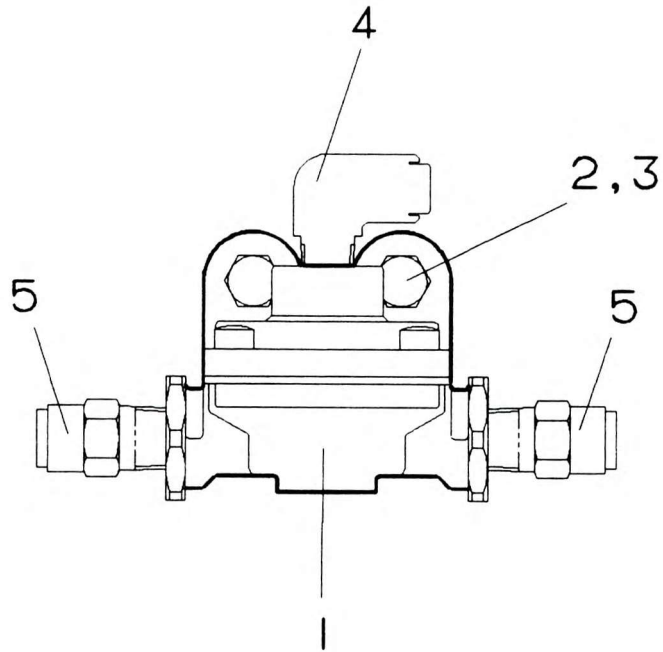


VALVE ASSY QUICK RELEASE



NO.	PART NO.	QTY.	DESCRIPTION	NO.	PART NO.	QTY.	DESCRIPTION
1 +	7-926-990158	1	Quick Release Valve				
2	7045205	2	Screw Hex Head M8 x 16 Long				
3	7067215	2	Washer Spring M8				
4	7-443-991035	1	Fixed Elbow Adaptor				
5	7-443-990969	2	Adaptro $\frac{3}{8}$ " NPTF x $\frac{1}{2}$ " Tube				

+ See further breakdown in this group